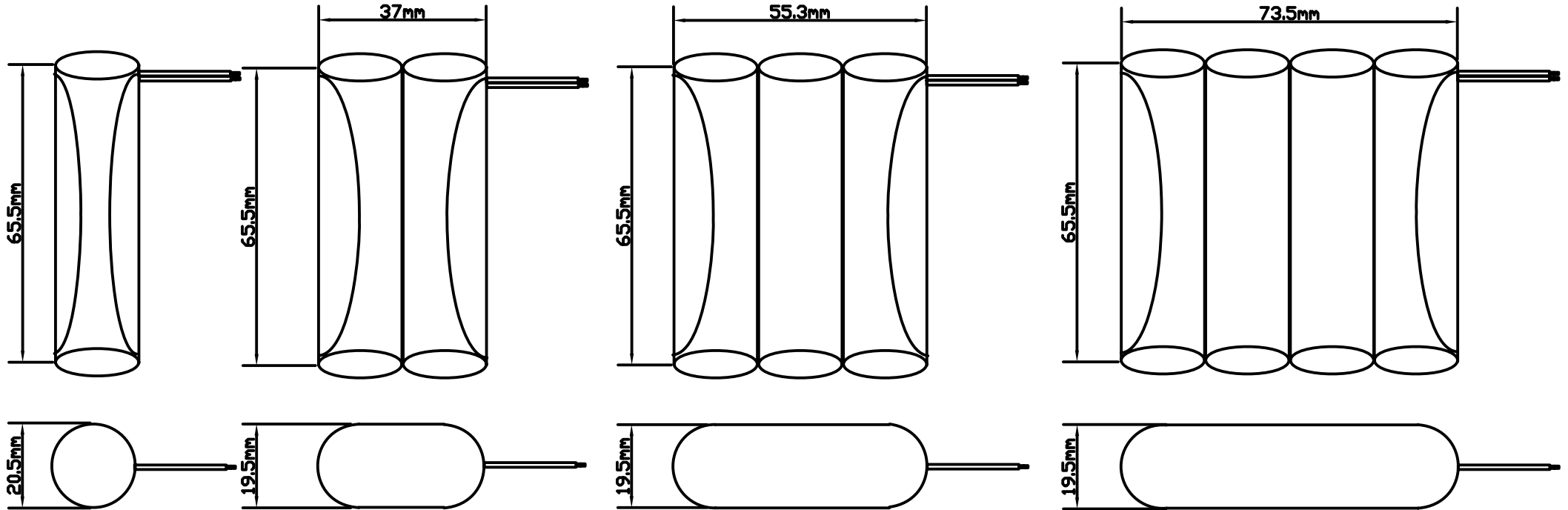


FULL POWER ELECTRONICS CO., LTD

Cylindrical Li-Ion Battery Pack

E Type

For Example: Model CF18650M



3.7V 2200mAh

7.4V 2200mAh

11.1V 2200mAh

14.4V 2200mAh

or

7.4V 4400mAh

or

3.7V 8800mAh

or

3.7V 4400mAh